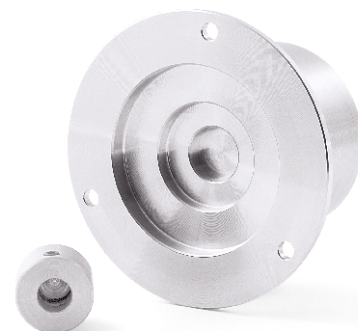


- Shaftless & bearingless encoders
- Absolute sensing
- Zero-setting function
- IP67 or IP68 protection with sealed circuits



MSK36 • MMK36

ENVIRONMENTAL SPECIFICATIONS

Shock:	250 g, 6 ms acc. to CEI EN 60068-2-27
Vibrations:	10 g, 5-2000 Hz acc. to CEI EN 60068-2-6
Protection:	IP67
Operating temperature range:	-20°C +85°C (-4°F +185°F)
Storage temperature range:	-20°C +85°C (-4°F +185°F) (98% R.H. without condensation)
Option:	• IP68 protection with sealed circuits

MECHANICAL SPECIFICATIONS

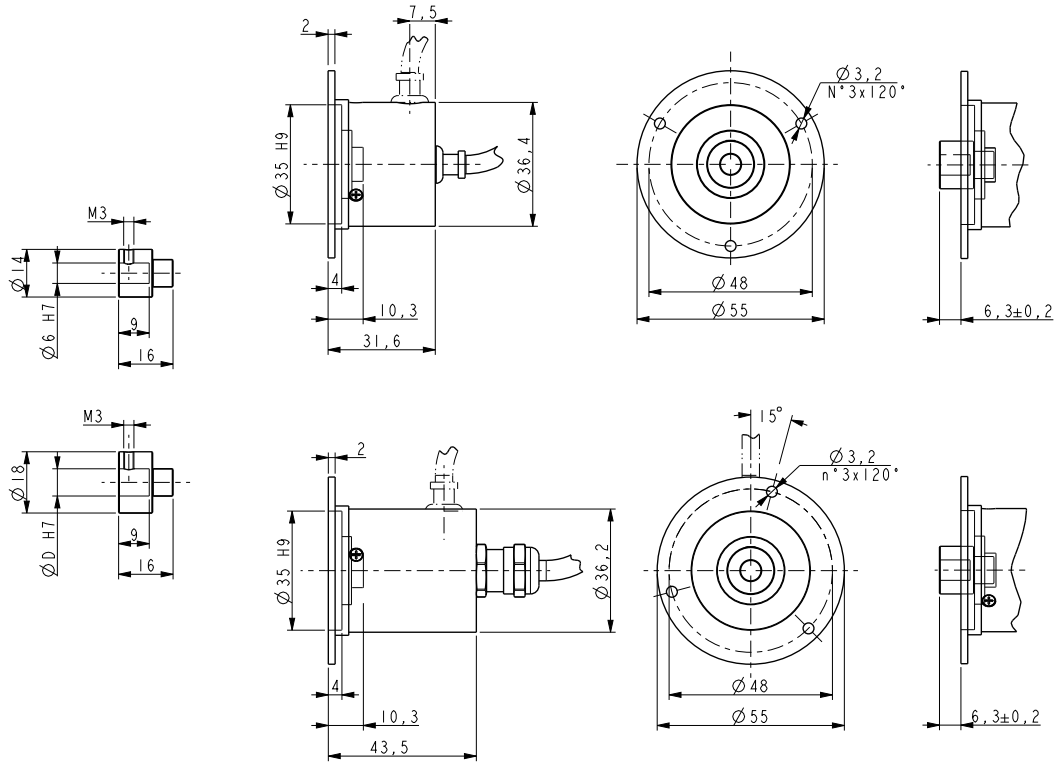
Dimensions:	see drawing
Hollow shaft diameter:	Ø 6, 8, 10 mm
Shaft rotational speed:	12000 rpm max. (mechanical)
Axial runout:	±0,1mm (for best electrical performance)
Radial runout:	±0,2mm (for best electrical performance)
Electrical connections:	M12 8 pin inline plug or cable output 1 m (3.3 ft)
Weight:	~ 50 g (1,7 oz)
Option:	• additional cable

ELECTRICAL SPECIFICATIONS

Resolution:	MSK36 (cpr): 8192 MMK36: 1024 counts/rev. x 32768 rev. 2048 cpr x 16384 rev. 4096 cpr x 8192 rev. 8192 cpr x 65536 rev.
Accuracy:	± 1°
Output circuits:	MSK36: SSI, 13 clock max. 1 MHz MMK: SSI, 29 clock max. 1 MHz
Power supply:	+10Vdc +30Vdc
Power consumption:	30 mA max.
Protection:	against inversion of polarity and short-circuit
EMC:	electro-magnetic immunity, according to: EN-61000-4-2 EN-61000-4-4
Battery life (only MMK36):	10 years min.
Functions:	• Counting direction (input) • Electronic zero setting (input)

MATERIALS

Flange:	anticorodal, UNI EN AW-6082
Housing:	anticorodal, UNI EN AW-6082
Shaft:	anticorodal, UNI EN AW-6082



MSK36

MMK36

Order code - Single turn version

MSK36	XX Ⓐ	/	XX Ⓑ	-	XX Ⓒ	-	X Ⓓ	X Ⓔ	X Ⓕ	XX Ⓖ	/Sxxx Ⓗ
-------	---------	---	---------	---	---------	---	--------	--------	--------	---------	------------

<p>Ⓐ RESOLUTIONS 13 = 8192 counts/rev.</p> <p>Ⓑ OUTPUT CODE BS = Binary, SSI GS = Gray, SSI</p>	<p>Ⓒ SHAFT DIAMETER 6 = 6 mm 8 = 8 mm 10 = 10 mm</p> <p>Ⓓ ZERO SETTING - = without (standard) E = zero setting</p>	<p>Ⓔ CONNECTION POSITION - = axial R = radial</p> <p>Ⓕ PROTECTION - = IP67 J = IP68 with sealed circuits</p>	<p>Ⓖ CONNECTIONS L1 = cable output 1 m (standard) L2 = cable output 2 m Lx = cable output x m M0,5 = 0,5 m cable + M12 8 pin inline plug M2 = 2 m cable + M12 8 pin inline plug</p> <p>Ⓗ CUSTOM VERSION</p>
---	--	--	---

Order code - Multi turn version

MMK36	XX/XXXXXX Ⓐ	XX Ⓑ	-	XX Ⓒ	-	X Ⓓ	X Ⓔ	X Ⓕ	XX Ⓖ	/Sxxx Ⓗ
-------	----------------	---------	---	---------	---	--------	--------	--------	---------	------------

<p>Ⓐ RESOLUTIONS 10/32768 = 1024 CPR x 32768 rev. 11/16384 = 2048 CPR x 16384 rev. 12/8192 = 4096 CPR x 8192 rev. 13/65536 = 8192 cpr x 65536 rev.</p> <p>Ⓑ OUTPUT CODE BB = Binary, SSI (LSB aligned) GB = Gray, SSI (LSB aligned) BS = Binary, SSI (Tree format) GS = Gray, SSI (Tree format) BG = Binary, SSI (MSB aligned) GG = Gray, SSI (MSB aligned)</p>	<p>Ⓒ SHAFT DIAMETER 6 = 6 mm 8 = 8 mm 10 = 10 mm</p> <p>Ⓓ ZERO SETTING - = without (standard) E = zero setting</p>	<p>Ⓔ CONNECTION POSITION - = axial R = radial</p> <p>Ⓕ PROTECTION - = IP67 J = IP68 with sealed circuits</p>	<p>Ⓖ CONNECTIONS L1 = cable output 1 m (standard) L2 = cable output 2 m Lx = cable output x m M0,5 = 0,5 m cable + M12 8 pin inline plug M2 = 2 m cable + M12 8 pin inline plug</p> <p>Ⓗ CUSTOM VERSION</p>
---	--	--	---

Document release	Date	Description
1.1	27.01.2021	Mechanical specifications revision